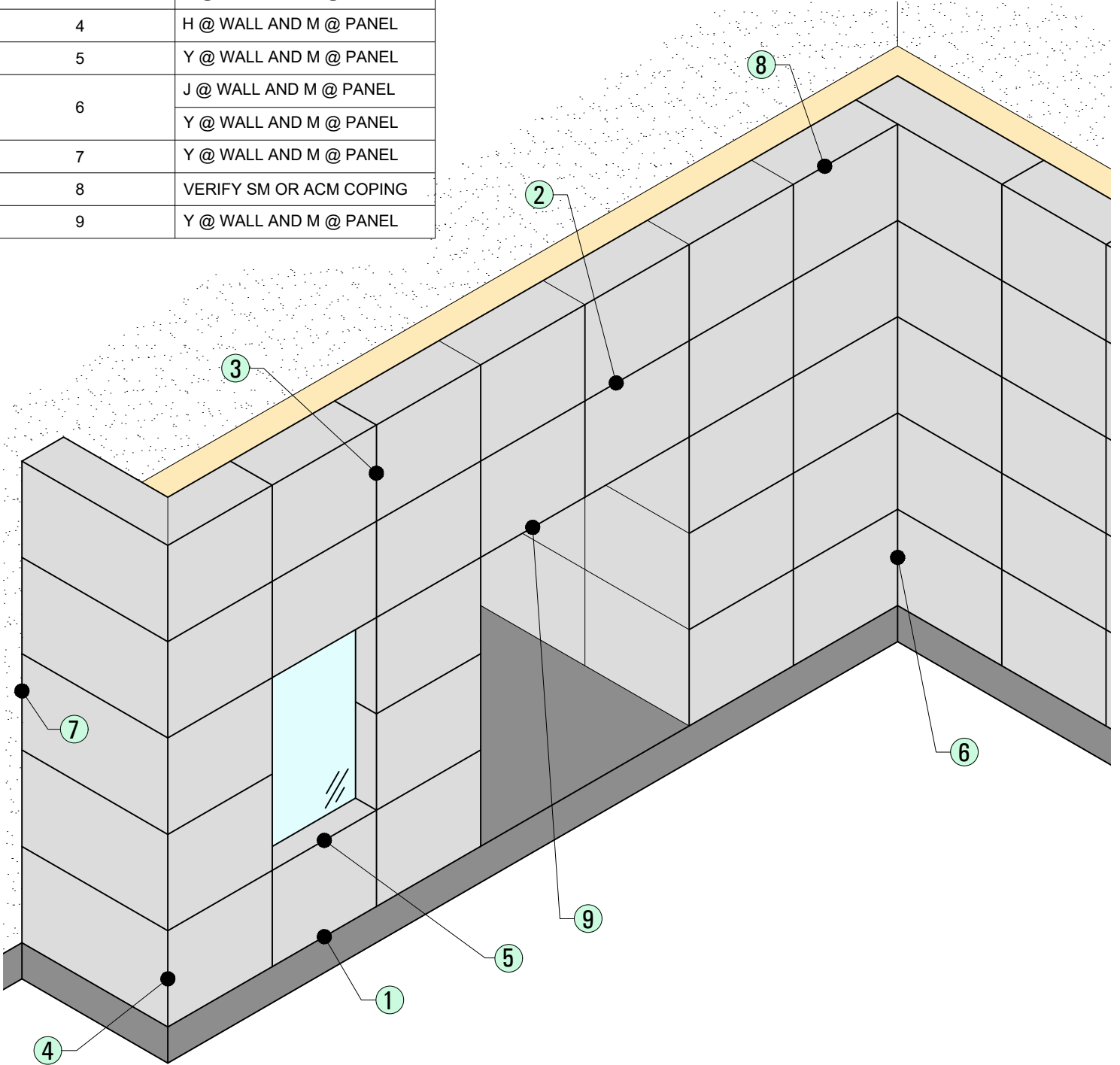


# UNIVERSAL COMPOSITE PANEL SYSTEMS

## DETAIL QUICK REFERENCE

DETAIL No.	DESCRIPTION
1	J @ WALL AND M @ PANEL
2	H @ WALL AND M @ PANEL
3	H @ WALL AND M @ PANEL
4	H @ WALL AND M @ PANEL
5	Y @ WALL AND M @ PANEL
6	J @ WALL AND M @ PANEL
	Y @ WALL AND M @ PANEL
7	Y @ WALL AND M @ PANEL
8	VERIFY SM OR ACM COPING
9	Y @ WALL AND M @ PANEL



## UCPS SERIES 1000 WET SEAL (WS) INSTALLATION DETAILS

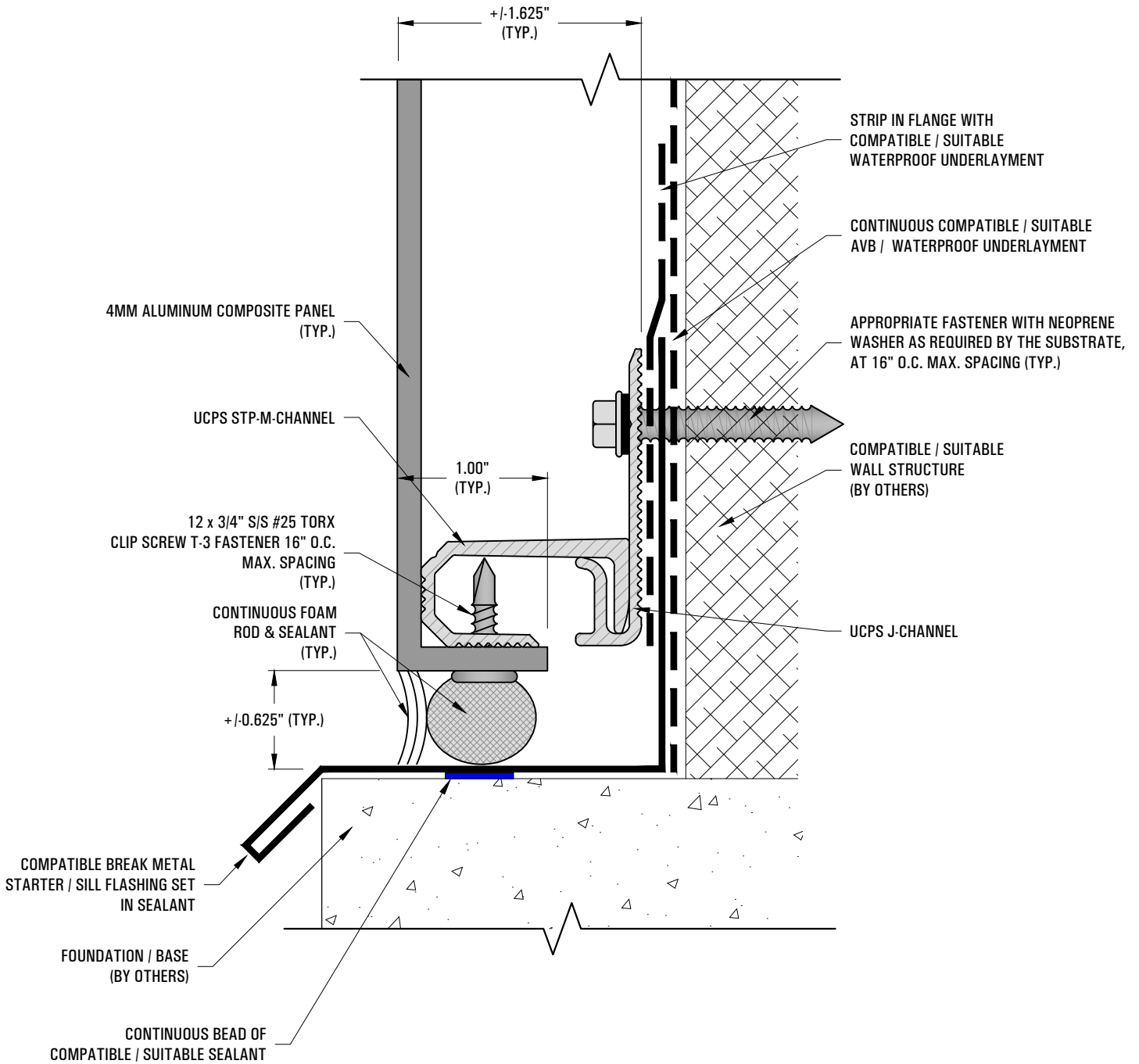


DRAWING REVISIONS	
REV. #	DESCRIPTION
001	APPROVED FOR TRAINING 3/17/25

DRAWN BY:	RJH
CHECKED BY:	
DATE:	3/17/25
SCALE:	N.T.S.
MATERIAL(S):	N/A

DETAIL
<b>C</b>

# UCPS SERIES 1000 WET SEAL (WS)



**NOTES:**

1. USE SHIMS (NOT SHOWN) AS REQUIRED SO THAT EACH PANEL LIES LEVEL AND PLUMB.

## STARTER / SILL FLASHING ABOVE FOUNDATION DETAIL

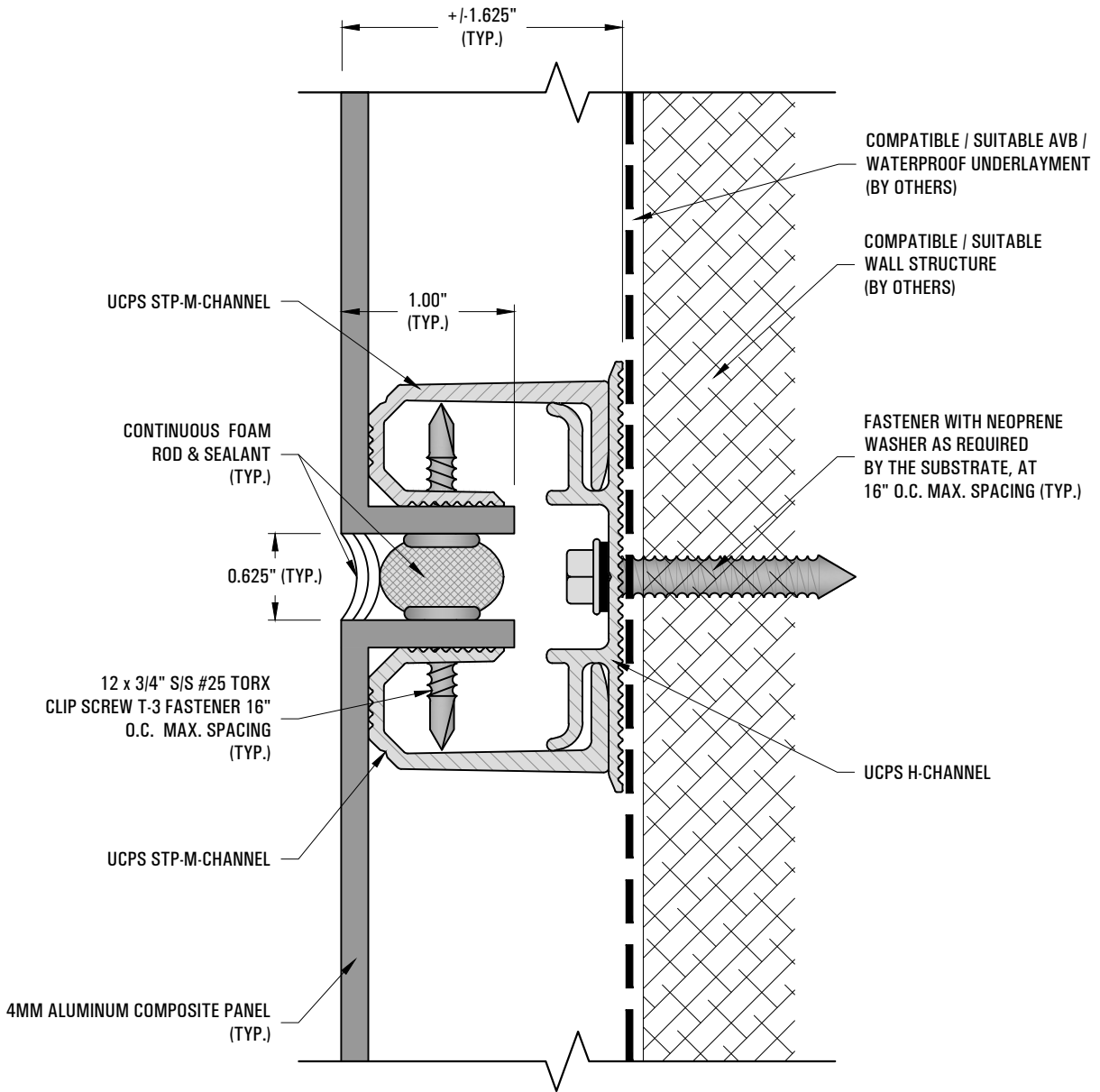


DRAWING REVISIONS	
REV. #	DESCRIPTION
001	APPROVED FOR TRAINING 3/17/25

DRAWN BY:	RJH
CHECKED BY:	
DATE:	3/17/25
SCALE:	N.T.S.
MATERIAL(S):	UCPS & ACM

DETAIL	1
--------	---

# UCPS SERIES 1000 WET SEAL (WS)



**NOTES:**

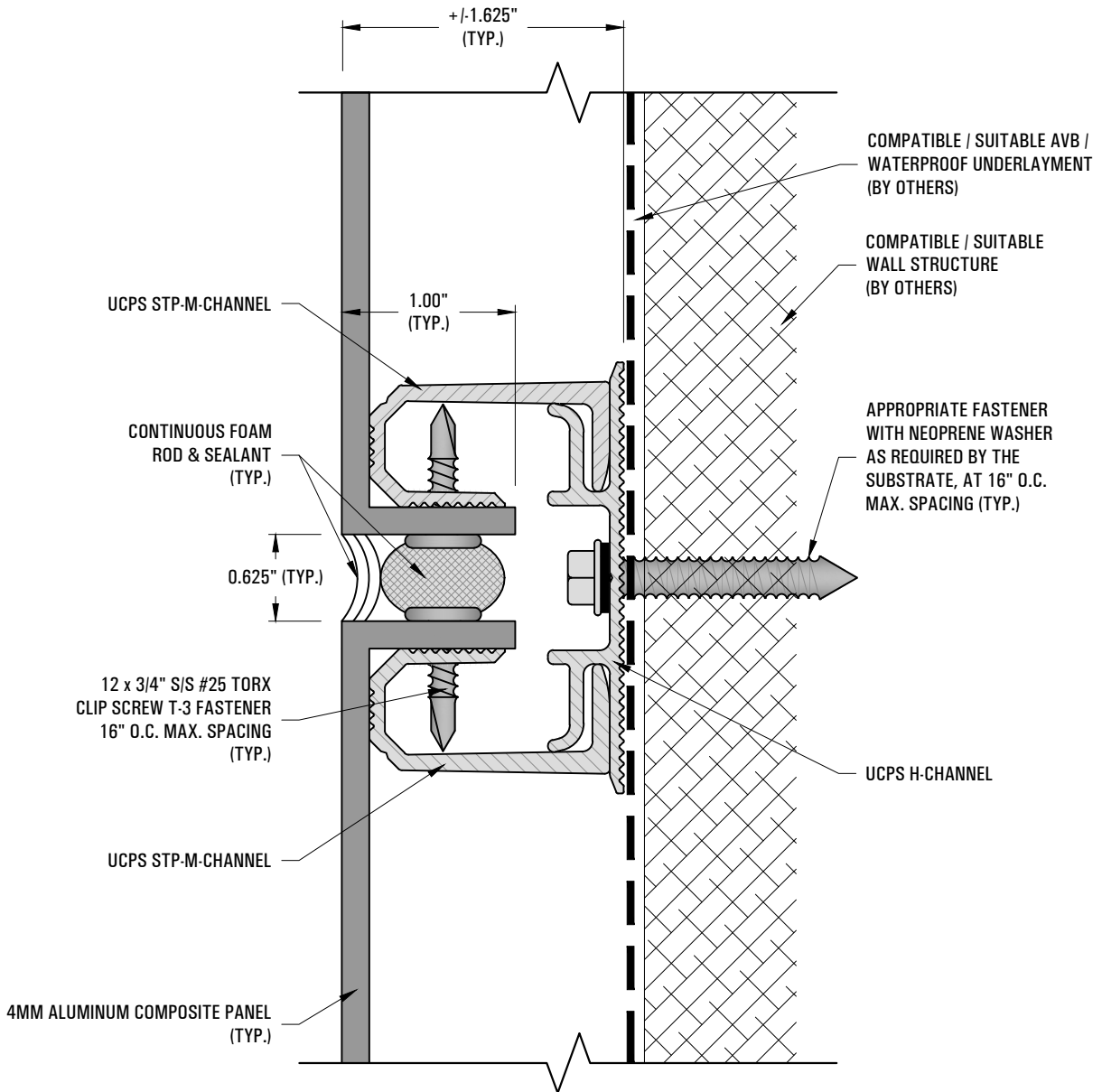
1. USE SHIMS (NOT SHOWN) AS REQUIRED SO THAT EACH PANEL LIES LEVEL AND PLUMB.

## TYPICAL HORIZONTAL JOINT DETAIL



DRAWING REVISIONS		DRAWN BY:	RJH	DETAIL
REV. #	DESCRIPTION	CHECKED BY:		<b>2</b>
001	APPROVED FOR TRAINING 3/17/25	DATE:	3/17/25	
		SCALE:	N.T.S.	
		MATERIAL(S):	UCPS & ACM	

# UCPS SERIES 1000 WET SEAL (WS)



**NOTES:**

1. USE SHIMS (NOT SHOWN) AS REQUIRED SO THAT EACH PANEL LIES LEVEL AND PLUMB.

## TYPICAL VERTICAL JOINT DETAIL

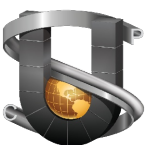
**DRAWING REVISIONS**

REV. #	DESCRIPTION
001	APPROVED FOR TRAINING 3/17/25

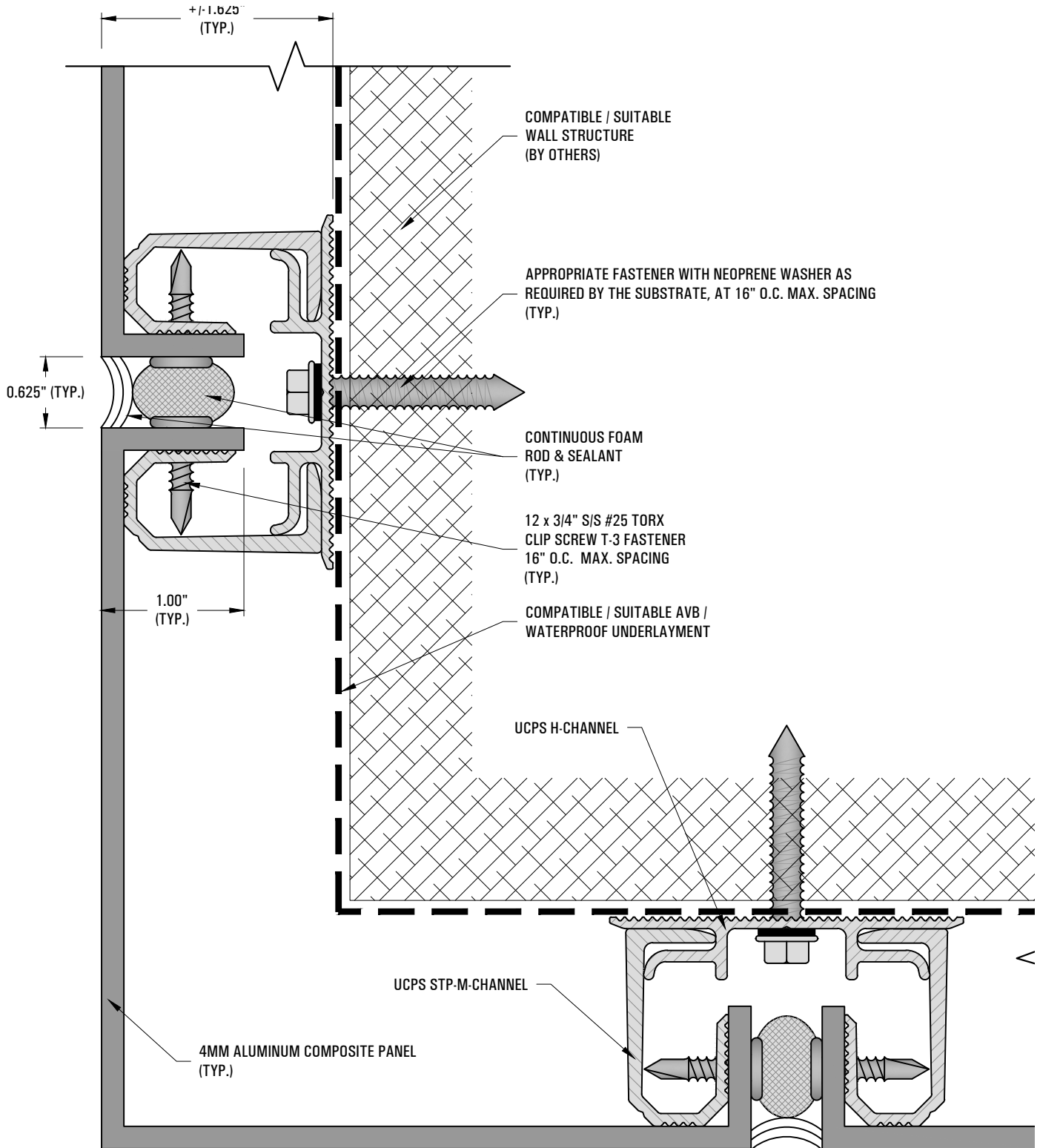
DRAWN BY:	RJH
CHECKED BY:	
DATE:	3/17/25
SCALE:	N.T.S.
MATERIAL(S):	UCPS & ACM

DETAIL

**3**



# UCPS SERIES 1000 WET SEAL (WS)



**NOTES:**

1. USE SHIMS (NOT SHOWN) AS REQUIRED SO THAT EACH PANEL LIES LEVEL AND PLUMB.

## TYPICAL OUTSIDE CORNER DETAIL

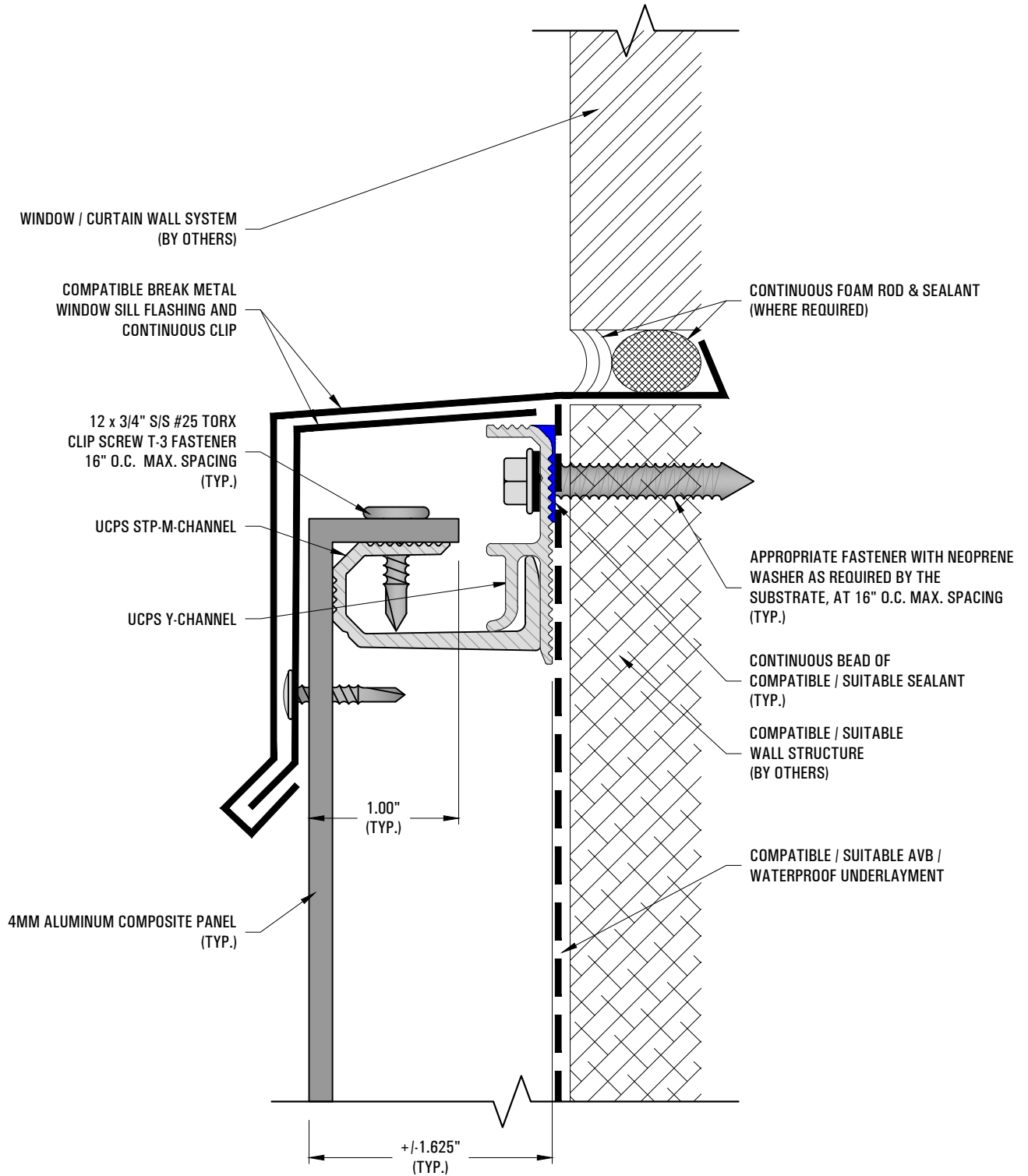


DRAWING REVISIONS	
REV. #	DESCRIPTION
001	APPROVED FOR TRAINING 3/17/25

DRAWN BY:	RJH
CHECKED BY:	
DATE:	3/17/25
SCALE:	N.T.S.
MATERIAL(S):	UCPS & ACM

DETAIL	4

# UCPS SERIES 1000 WET SEAL (WS)



**NOTES:**

1. USE SHIMS (NOT SHOWN) AS REQUIRED SO THAT EACH PANEL LIES LEVEL AND PLUMB.

## TYPICAL WINDOW SILL DETAIL

**DRAWING REVISIONS**

REV. #	DESCRIPTION
001	APPROVED FOR TRAINING 3/17/25

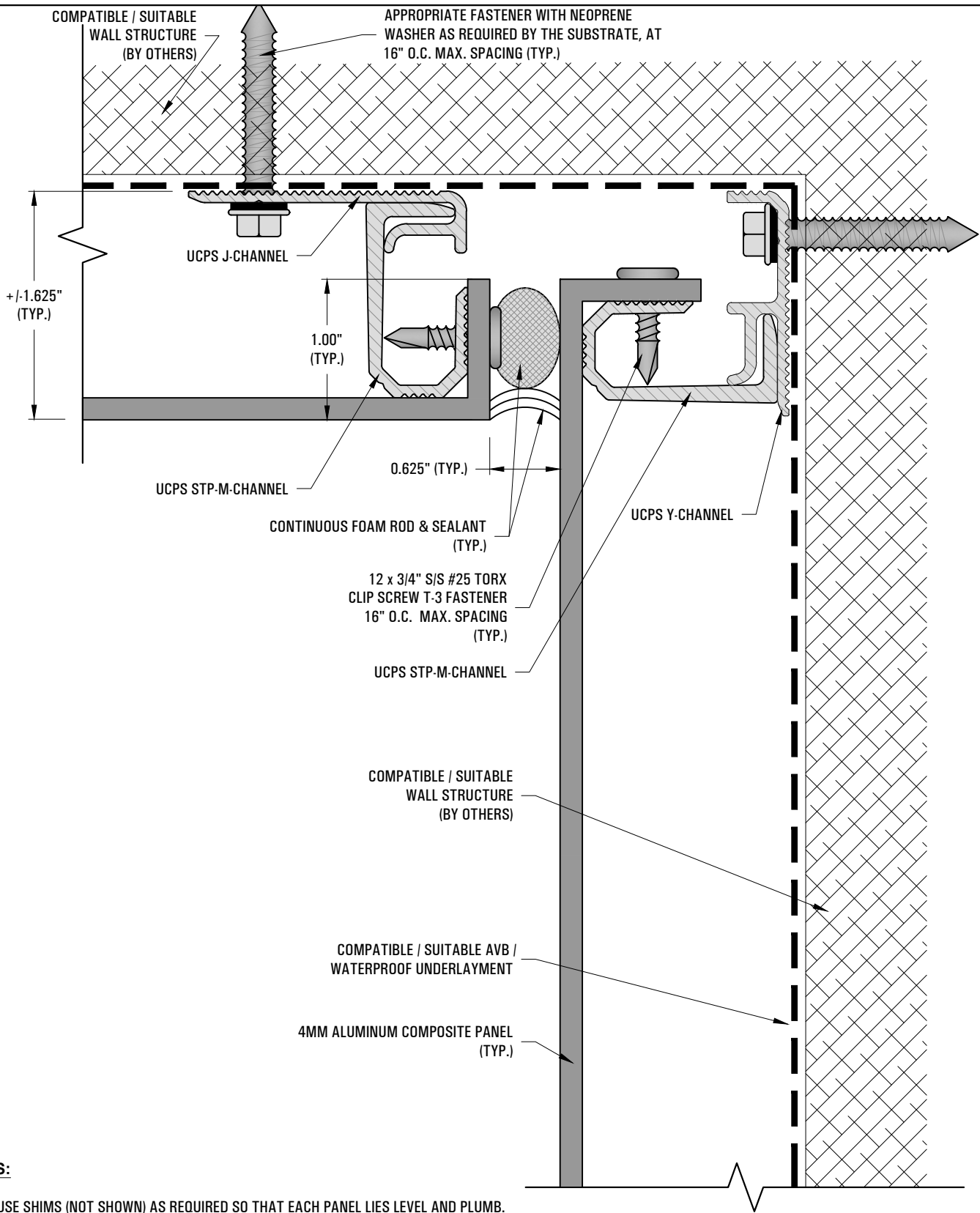
DRAWN BY:	RJH
CHECKED BY:	
DATE:	3/17/25
SCALE:	N.T.S.
MATERIAL(S):	UCPS & ACM

DETAIL

**5**



# UCPS SERIES 1000 WET SEAL (WS)



**NOTES:**

1. USE SHIMS (NOT SHOWN) AS REQUIRED SO THAT EACH PANEL LIES LEVEL AND PLUMB.

## TYPICAL INSIDE CORNER DETAIL

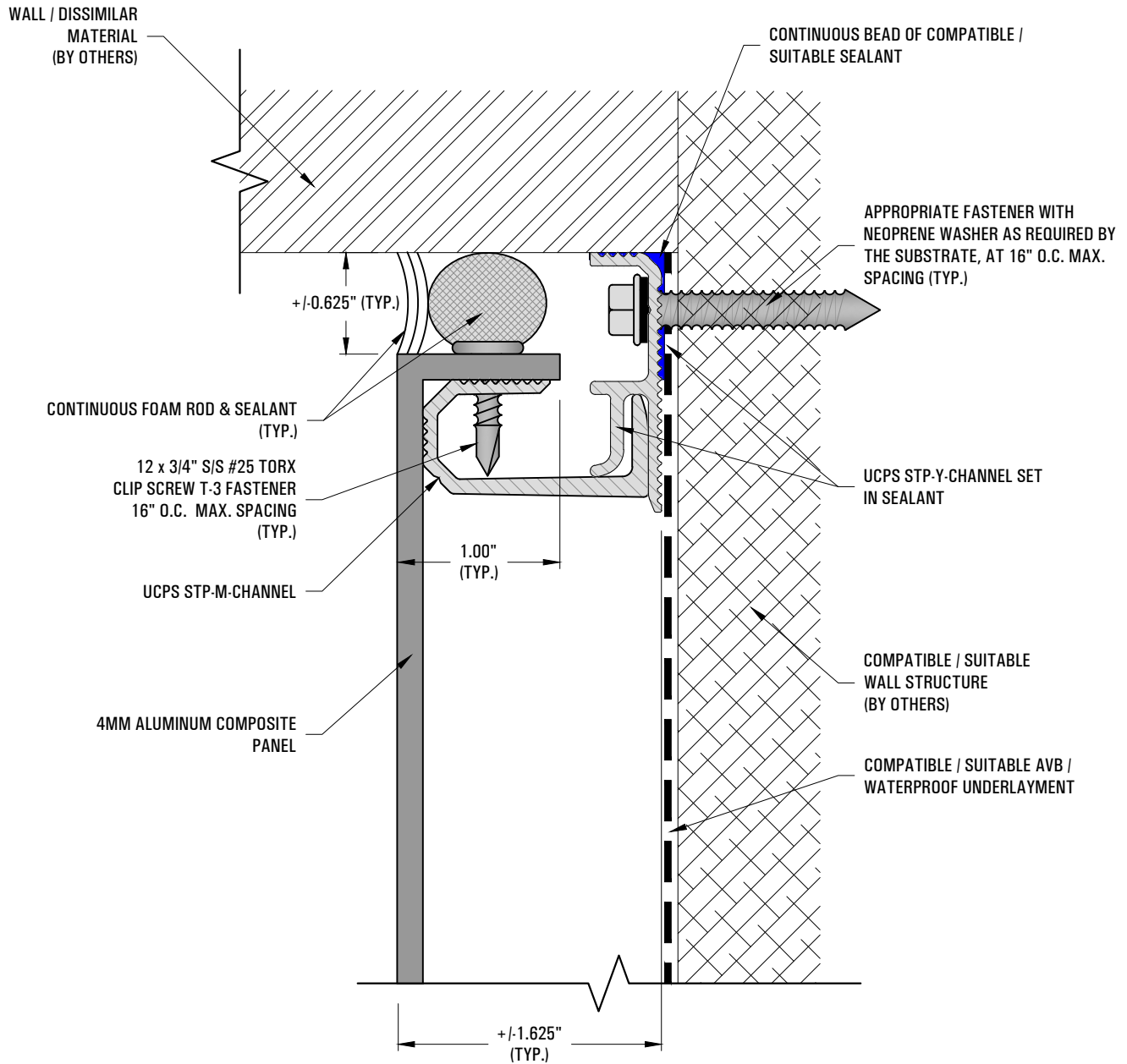


DRAWING REVISIONS	
REV. #	DESCRIPTION
001	APPROVED FOR TRAINING 3/17/25

DRAWN BY:	RJH
CHECKED BY:	
DATE:	3/17/25
SCALE:	N.T.S.
MATERIAL(S):	UCPS & ACM

DETAIL	6

# UCPS SERIES 1000 WET SEAL (WS)



**NOTES:**

1. USE SHIMS (NOT SHOWN) AS REQUIRED SO THAT EACH PANEL LIES LEVEL AND PLUMB.

## PANEL TO WALL / DISSIMILAR MATERIAL DETAIL



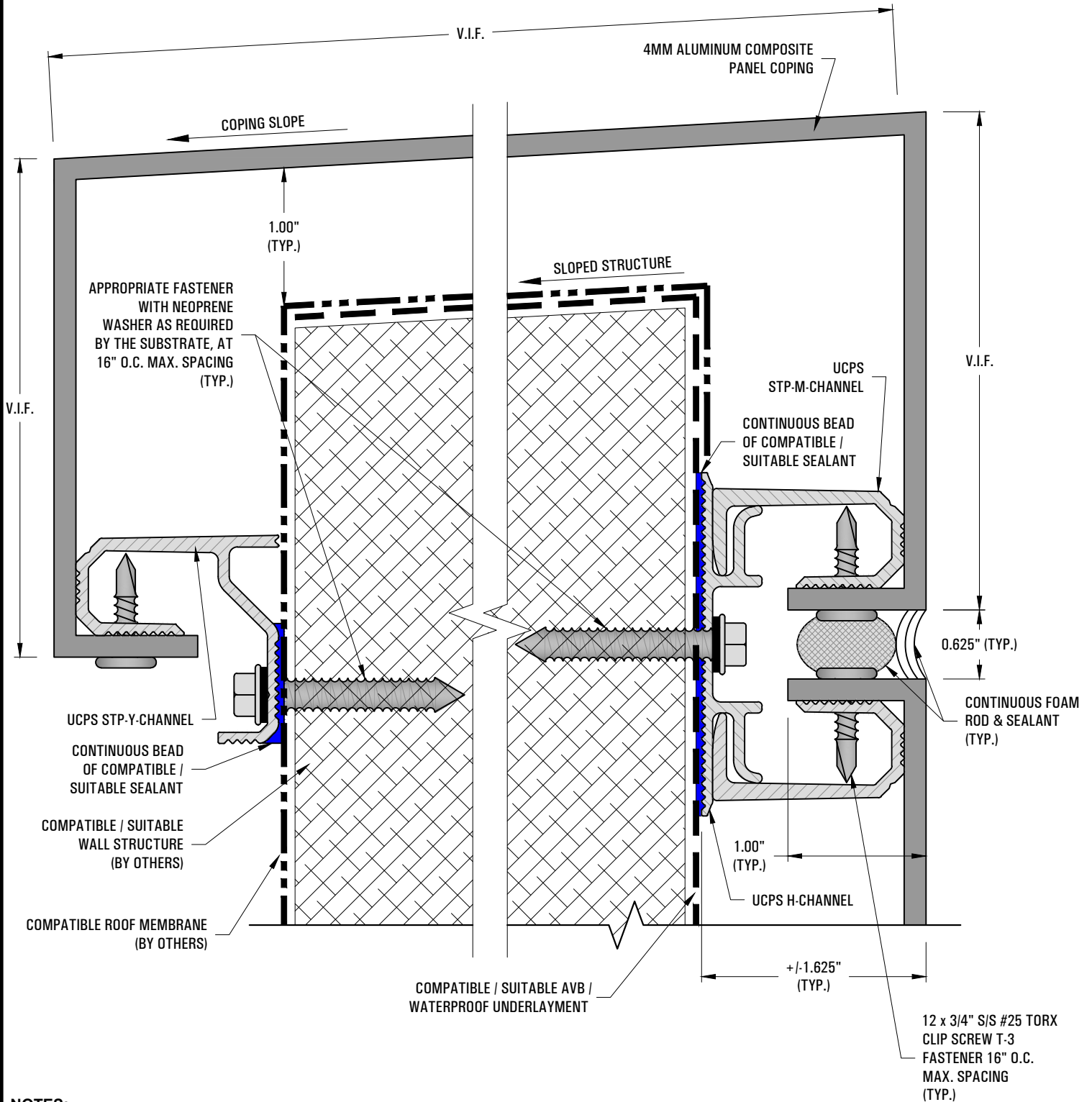
DRAWING REVISIONS	
REV. #	DESCRIPTION
001	APPROVED FOR TRAINING 3/17/25

DRAWN BY:	RJH
CHECKED BY:	
DATE:	3/17/25
SCALE:	N.T.S.
MATERIAL(S):	N/A

DETAIL	7



# UCPS SERIES 1000 WET SEAL (WS)



## ACM COPING DETAIL

### DRAWING REVISIONS

REV. #	DESCRIPTION
001	APPROVED FOR TRAINING 3/17/25

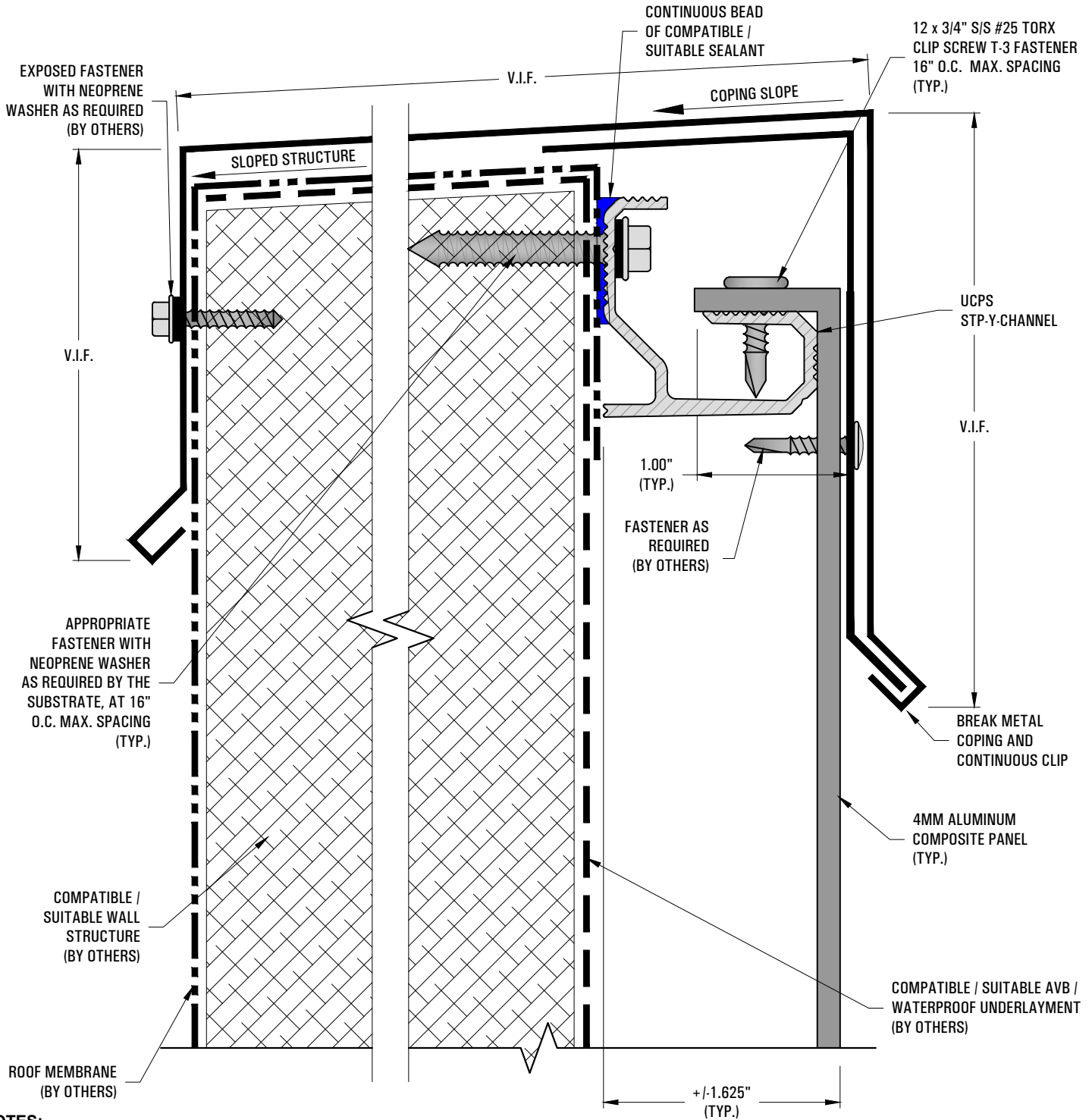
DRAWN BY:	RJH
CHECKED BY:	
DATE:	3/17/25
SCALE:	N.T.S.
MATERIAL(S):	UCPS & ACM

DETAIL

8



# UCPS SERIES 1000 WET SEAL (WS)



**NOTES:**

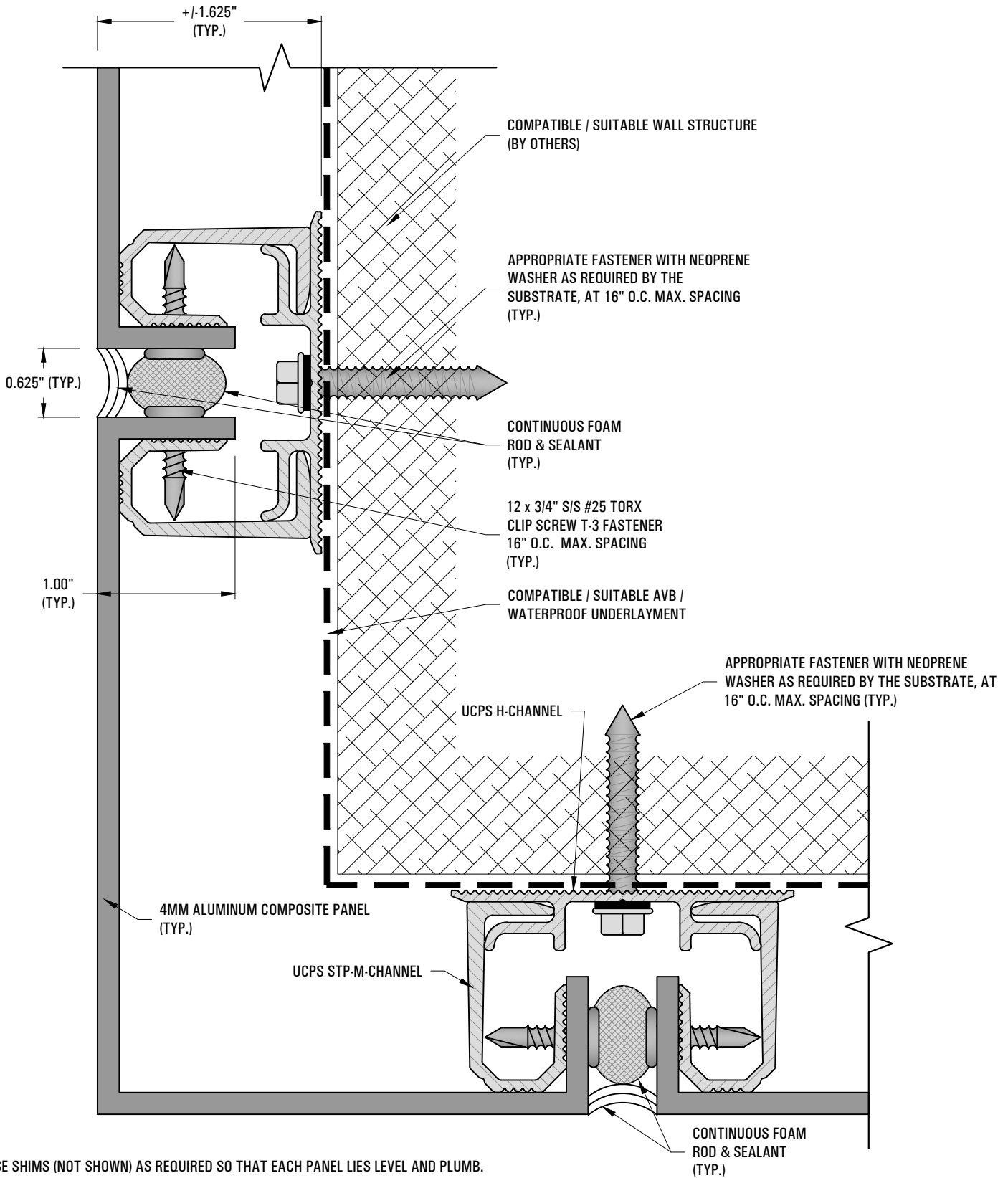
1. USE SHIMS (NOT SHOWN) AS REQUIRED SO THAT EACH PANEL LIES LEVEL AND PLUMB.

## BREAK METAL COPING DETAIL



DRAWING REVISIONS		DRAWN BY:	RJH	DETAIL
REV. #	DESCRIPTION	CHECKED BY:		
001	APPROVED FOR TRAINING 3/17/25	DATE:	3/17/25	
		SCALE:	N.T.S.	
		MATERIAL(S):	UCPS & ACM	
				8A

# UCPS SERIES 1000 WET SEAL (WS)



**NOTES:**

1. USE SHIMS (NOT SHOWN) AS REQUIRED SO THAT EACH PANEL LIES LEVEL AND PLUMB.

## TYPICAL FASCIA / WALL TO SOFFIT DETAIL



DRAWING REVISIONS		DRAWN BY:	RJH	DETAIL
REV. #	DESCRIPTION	CHECKED BY:		<b>9</b>
001	APPROVED FOR TRAINING 3/17/25	DATE:	3/17/25	
		SCALE:	N.T.S.	
		MATERIAL(S):	UCPS & ACM	